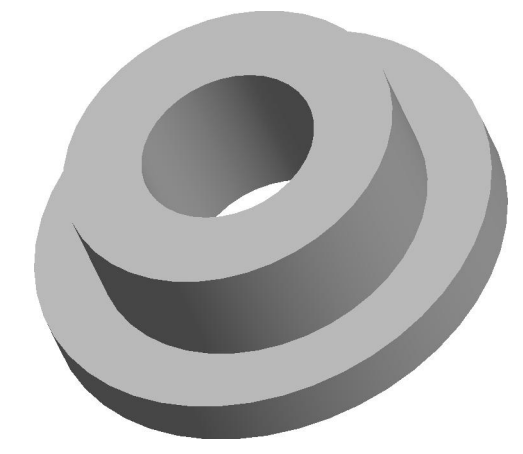
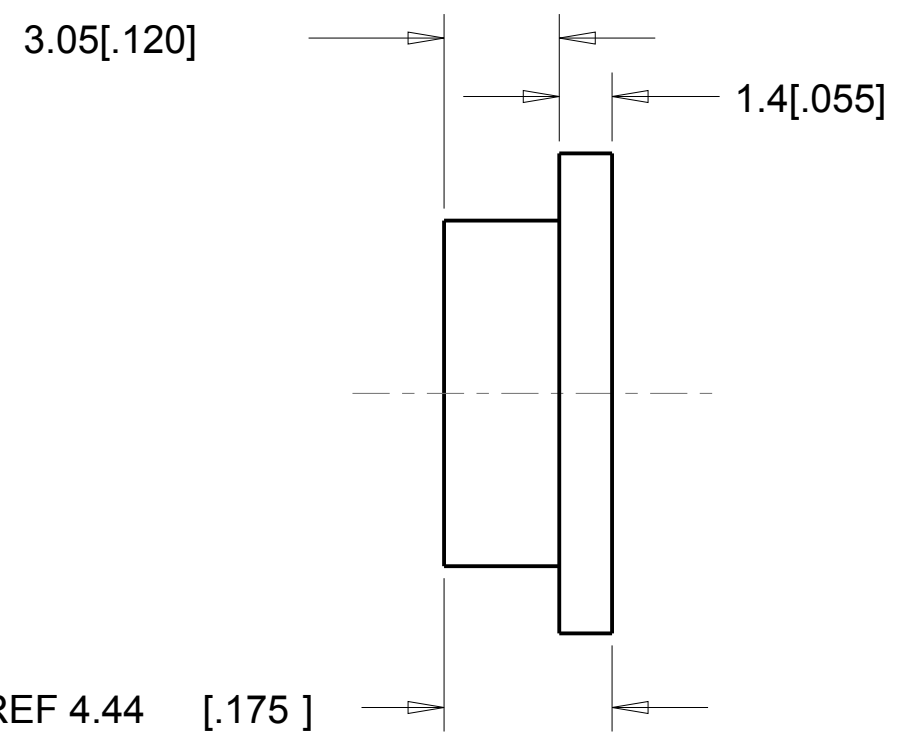
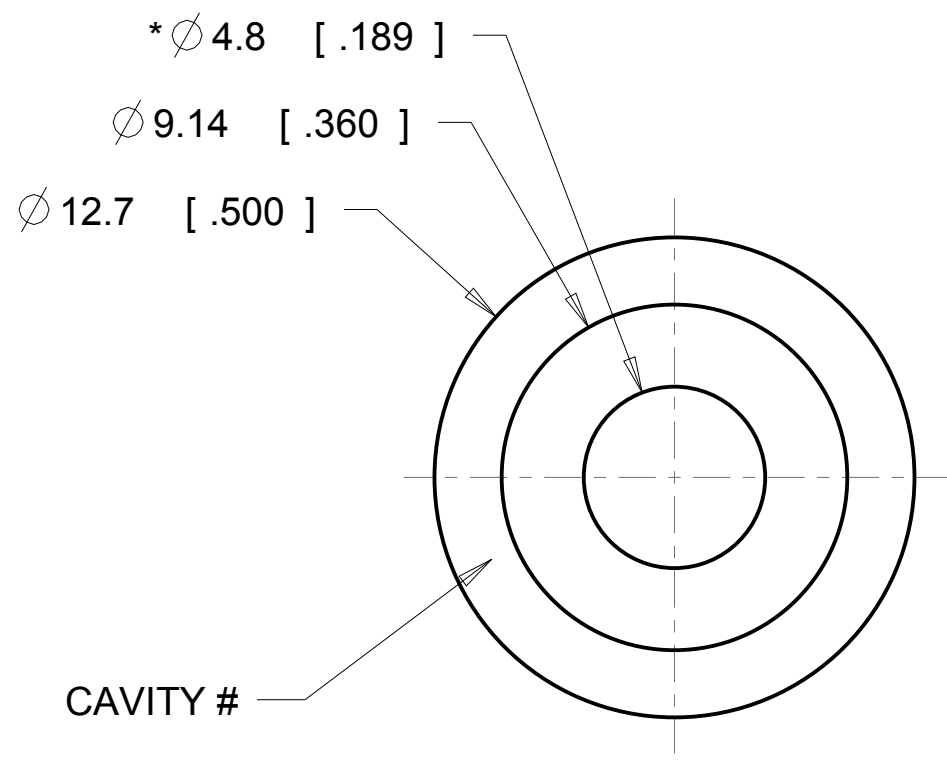




| REVISIONS |     |  |          |          |
|-----------|-----|--|----------|----------|
| DRAWN     | REV | DESCRIPTION  | DATE     | APPROVED |
|           | 00  | ORIGINAL   | 10-26-98 | DC       |
| KP/TC     | 01  | UPDATED FORMAT, NOTES, TOLERANCES, ADDED WEIGHT, CAVITY LOCATION AND -X TO NAMING CONVENTION. CHANGED .175 DIM TO REF. | 9-8-11   | MS       |
|           |     |  |          |          |



- 3. MAX DRAFT: 2°
- 2. CRITICAL DIMENSIONS SHALL HAVE Cpk VALUE >= 1.33 WITH ONGOING SPC DATA REQUIRED.
- 1. CRITICAL DIMENSIONS ARE MARKED WITH "\*\*".

NOTES:

|             |          |
|-------------|----------|
| B-531-V2775 | V-2775   |
| B-531-V2750 | V-2750   |
| B-531-V2725 | V-2725   |
| B-531-V2599 | V-2599   |
| B-531-V2590 | V-2590   |
| B-531-V2575 | V-2575   |
| B-531-V2550 | V-2550   |
| B-531-V2525 | V-2525   |
| B-531-V2375 | V-2375   |
| B-531-V2350 | V-2350   |
| B-531-V2325 | V-2325   |
| B-531-8     | C-8002   |
| B-531-3     | C-1100   |
| B-531-2     | C-1105   |
| B-531-1     | C-1002   |
| PART NUMBER | MATERIAL |

| RANGE                    | TOL           |
|--------------------------|---------------|
| 0<DIM<=2 [.078]          | ± 0.15 [.006] |
| 2 [.078]<DIM<=25 [.98]   | ± 0.25 [.010] |
| 25 [.98]<DIM<=50 [1.969] | ± 0.4 [.016]  |
| 50 [1.969]<DIM           | ± 0.6 [.024]  |

|   |   |   |                               |                    |
|---|---|---|-------------------------------|--------------------|
| UNLESS OTHERWISE SPECIFIED<br>UNITS ARE: MM [IN]<br>TOLERANCE FOR ANGLES: ±0.0° | MATERIAL:<br>SEE TABLE ON LEFT  | AEARO TECHNOLOGIES LLC * a 3M company   |                               |                    |
|   | ALLOWABLE FLASH:<br>.12 MM [.005]   | QUALITY CONTROL:<br>MUST COMPLY WITH E-A-R<br>SPECIALTY COMPOSITES<br>SUPPLIER QUALITY MANUAL<br>REQUIREMENTS | TITLE<br>GROMMET - NON-RIBBED |                    |
| GATE:<br>±.25 MM [.010]   | NOTES:<br>ANY FEATURE NOT DIMENSIONED<br>IN PRINT MUST BE VISIBLY PRESENT,<br>UTILIZE 3D CAD FOR CREATION | SIZE<br>B   | DRAWING NO.<br>B-531-X        | PAGE NO.<br>1 OF 1 |
| 0.38 GRAM REF   |   |   |                               |                    |

1

2

3

4