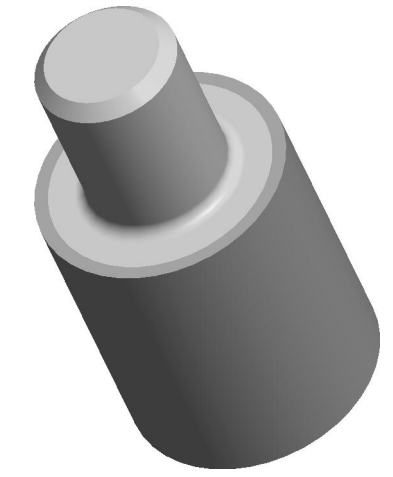
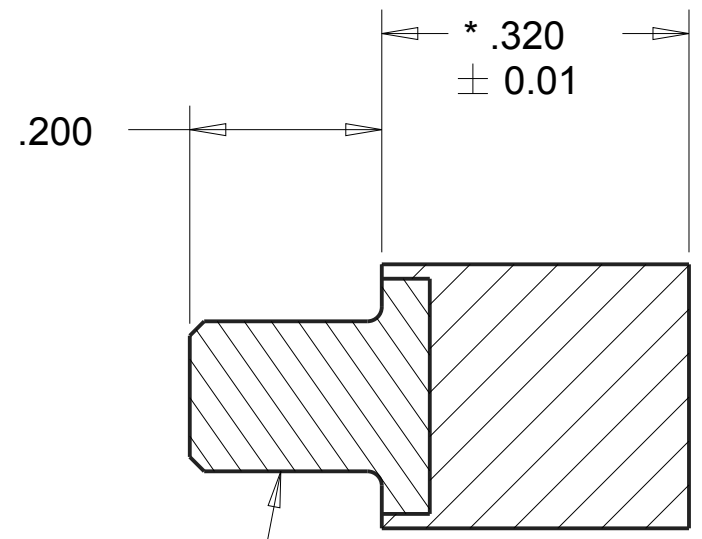
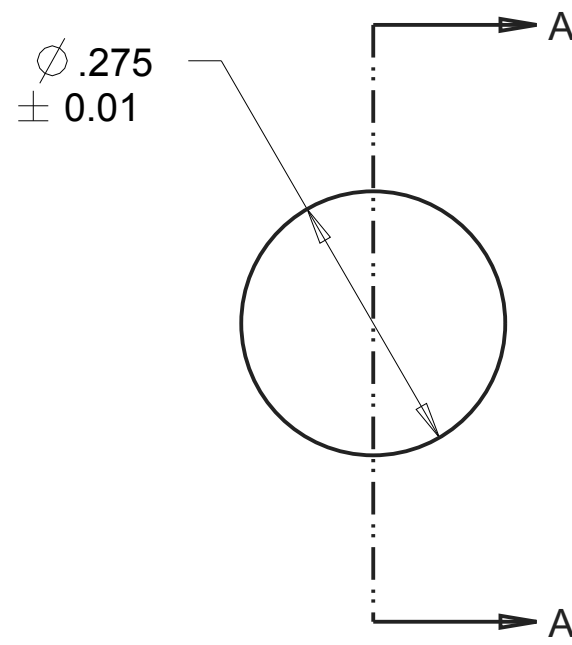




| REVISIONS | | | | |
|-----------|-----|----------------|---------|----------|
| DRAWN | REV | DESCRIPTION | DATE | APPROVED |
| CP | 01 | INITIAL DESIGN | 5/15/17 | |
| | | | | |
| | | | | |



GROUP 1 MALE
INSERT #4-40 UNC-2A

SECTION A-A

NOTES:

1. CONTACT AREAS MUST BE 100% BONDED.

INSERTS:
 MALE INSERT P/N: 021-1403
 MATERIAL: S.A.E 1018 STEEL
 FOR COATING DETAILS, SEE INSERT DRAWING.

| | | | |
|------------|---|---|-----------|
| MATERIAL: | AEARO TECHNOLOGIES LLC * a 3M company | | |
| ISOLOSS HD | QUALITY CONTROL: MUST COMPLY WITH AEARO TECHNOLOGIES LLC SUPPLIER QUALITY MANUAL REQUIREMENTS | TITLE | |
| UNITS: IN | | SANDWICH MOUNT, GROUP 1, MALE-BLANK, ISOLOSS HD | |
| | NOTES: ANY FEATURE NOT DIMENSIONED IN PRINT MUST BE VISIBLY PRESENT, UTILIZE 3D CAD FOR CREATION | SIZE | ITEM CODE |
| | | B | |