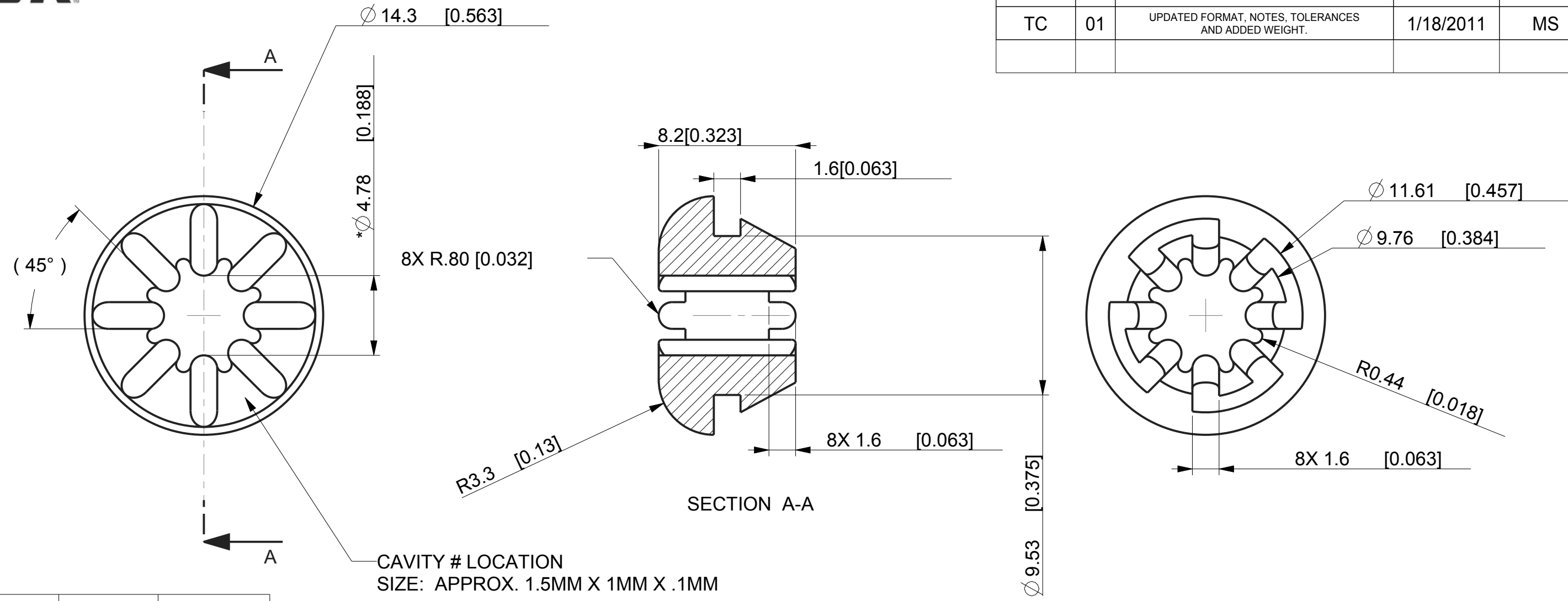




REVISIONS				
DRAWN	REV	DESCRIPTION	DATE	APPROVED
BCC	00	PRODUCTION	3/2/2004	JS
TC	01	UPDATED FORMAT, NOTES, TOLERANCES AND ADDED WEIGHT.	1/18/2011	MS



- 2. CRITICAL DIMENSIONS SHALL HAVE Cpk VALUE >= 1.33 WITH ONGOING SPC DATA REQUIRED.
- 1. CRITICAL DIMENSIONS ARE MARKED WITH "***".

NOTES:

P-411-V2790	V-2790	
P-411-V2775	V-2775	6379-0205
P-411-V2750	V-2750	
P-411-V2590	V-2590	
P-411-V2575	V-2575	
P-411-V2550	V-2550	
P-411-V2525	V-2525	
P-411-V2375	V-2375	
P-411-V2350	V-2350	
P-411-V2325	V-2325	
P-411-3	C-1100	
P-411-2	C-1105	
P-411-1	C-1002	632-2037T
P-411-C8012	C-8012	
P-411-C8001	C-8001	
P-411-C8002	C-8002	
PART NUMBER	MATERIAL	ITEM CODE

RANGE	TOL	UNLESS OTHERWISE SPECIFIED UNITS ARE: MM [IN] TOLERANCE FOR ANGLES: ±1.0°	MATERIAL: SEE TABLE ON LEFT	AEARO TECHNOLOGIES LLC * a 3M company		
0 < DIM ≤ 2 [.078]	± 0.15 [.006]		QUALITY CONTROL: MUST COMPLY WITH E-A-R SPECIALTY COMPOSITES SUPPLIER QUALITY MANUAL REQUIREMENTS	TITLE PLUG GROMMET - SYMMETRIC, ITERNALLY RIBBED		
2 [.078] < DIM ≤ 25 [.98]	± 0.25 [.010]	ALLOWABLE FLASH: 0.12MM [0.005]		NOTES: ANY FEATURE NOT DIMENSIONED IN PRINT MUST BE VISIBLY PRESENT, UTILIZE 3D CAD FOR CREATION	SIZE B	DRAWING NO. P-411-X
25 [.98] < DIM ≤ 50 [1.969]	± 0.4 [.016]	GATE: ±0.15MM [0.006]				
50 [1.969] < DIM	± 0.6 [.024]	CALC WT. .062 GRAM REF				