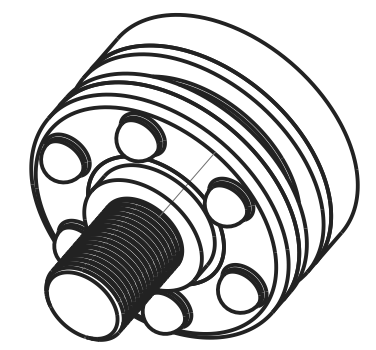
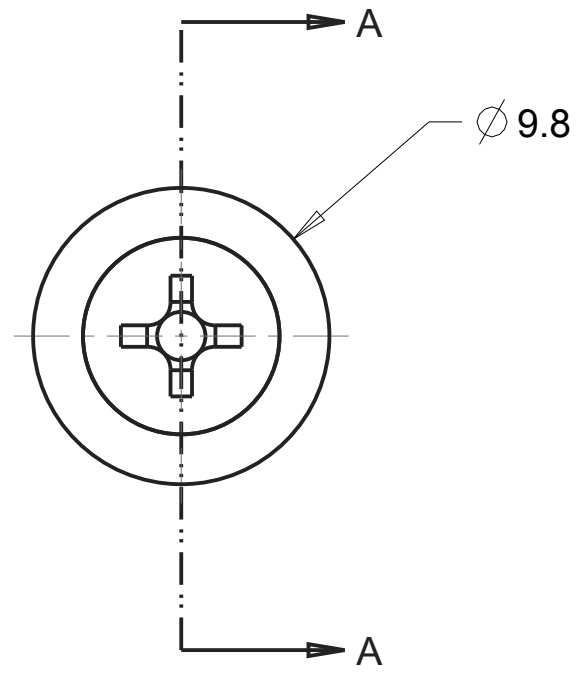
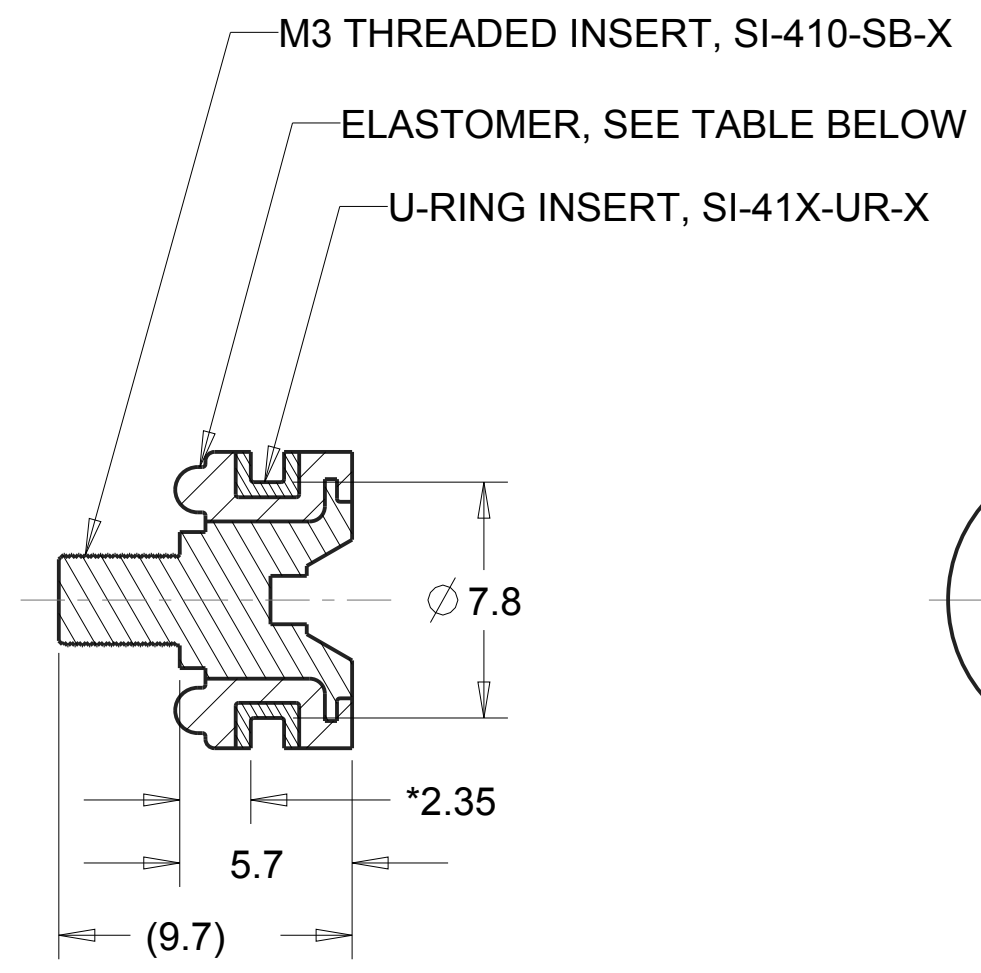




| REVISIONS | | | | |
|-----------|-----|---|---------|----------|
| DRAWN | REV | DESCRIPTION | DATE | APPROVED |
| TC | - | PRODUCTION RELEASE | 2-22-12 | MS |
| TC | 01 | Fixed material naming to include "C" Added flash and gate tolerances | 2-23-12 | MS |
| TC | 02 | UPDATED NAMING CONVENTION | 6-14-12 | MS |



SECTION A-A

- 5. USE THE TOLERANCE TABLE ON THE LEFT FOR ELASTOMERS.
- 4. FOR THREADED INSERT: CRITICAL DIM TOL: $\pm .08\text{MM}$.
ALL OTHER DIM TOL: $\pm .10\text{MM}$.
- 3. FOR THREADED INSERT: ASTM B-117 (72 HOURS).
- 2. CRITICAL DIMENSIONS SHALL HAVE Cpk VALUE ≥ 1.33 WITH ONGOING SPC DATA REQUIRED.
- 1. CRITICAL DIMENSIONS ARE MARKED WITH " * ".

NOTES:

| | |
|--------------|----------|
| SI-410-C8012 | C-8012 |
| SI-410-C8002 | C-8002 |
| SI-410-C8001 | C-8001 |
| SI-410-C1002 | C-1002 |
| PART # | MATERIAL |

| RANGE | TOL |
|------------|------------|
| 0<DIM<=2 | ± 0.15 |
| 2<DIM<=25 | ± 0.25 |
| 25<DIM<=50 | ± 0.4 |
| 50<DIM | ± 0.6 |

| | | | | | |
|---|--|---|--|---------------------------------------|--------------------------------|
| UNLESS OTHERWISE SPECIFIED UNITS ARE: MM [IN] TOLERANCE FOR ANGLES: $\pm 1.0^\circ$ | | MATERIAL: SEE TABLE | | AEARO TECHNOLOGIES LLC * a 3M company | |
| ALLOWABLE FLASH: $\pm .12\text{MM}$ | | QUALITY CONTROL: MUST COMPLY WITH E-A-R SPECIALTY COMPOSITES SUPPLIER QUALITY MANUAL REQUIREMENTS | | TITLE SI-410 GROMMET | |
| GATE: $\pm .15\text{MM}$ | | NOTES: ANY FEATURE NOT DIMENSIONED IN PRINT MUST BE VISIBLY PRESENT, UTILIZE 3D CAD FOR CREATION | | SIZE B | DRAWING NO. SI-410-X |
| | | | | PAGE NO. 1 of 1 | |

1

2

3

4